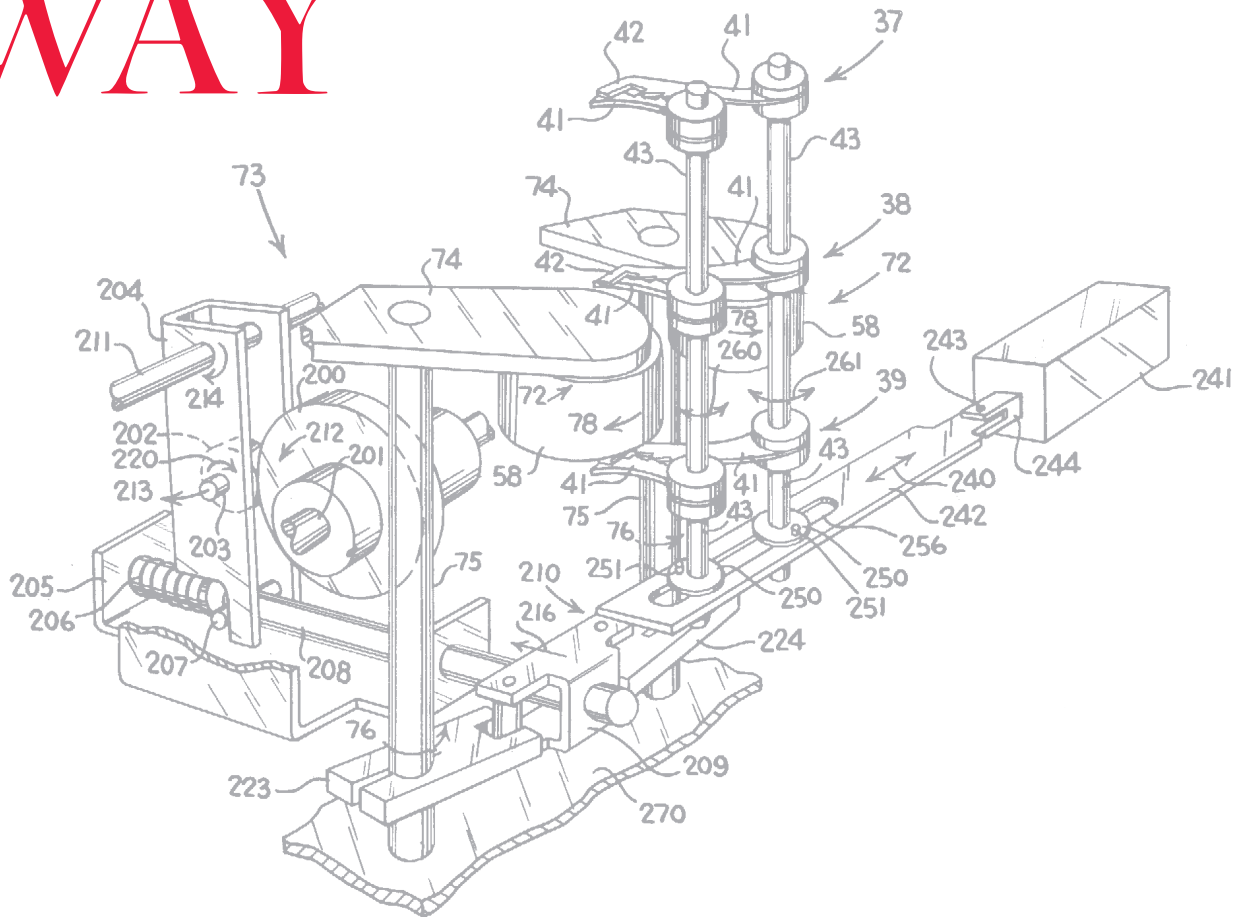


The INVENTOR'S WAY



.....

Eli Jacob Morowitz

CONTENTS



| | |
|------------------------------|----|
| History..... | 6 |
| Pelham Parkway..... | 14 |
| Carol..... | 26 |
| Advanced Lab..... | 32 |
| The Good Life | 40 |
| Conversations with Eli | 44 |

HISTORY

*“They came through Ellis Island
before settling in the Bronx.”*



What do you know about the paternal side of the family?

My grandfather's name was Menache Morowitz. He was born in Russia around the late 1800s. I know little about him, with the exception that he was a wood carver, and from a very young age he owned and ran a wood factory. I believe he married his wife, Rivka Temberg, in Zhitomir, Russia. At the time, there was widespread anti-Semitism and violent pogroms against Jews. My grandparents were likely restricted to the area called the Pale of Settlement. The townships were called *shtetls*.

Why did your grandparents come to America?

My grandfather decided to leave his home and business to avoid the Russian army, which conscripted Jews for periods of about twenty-five years and sent directly to the front. I know that Menache and Rivka arrived in New York around the turn of the century. They came through Ellis Island before settling in the Bronx, a slum on Prospect Avenue.